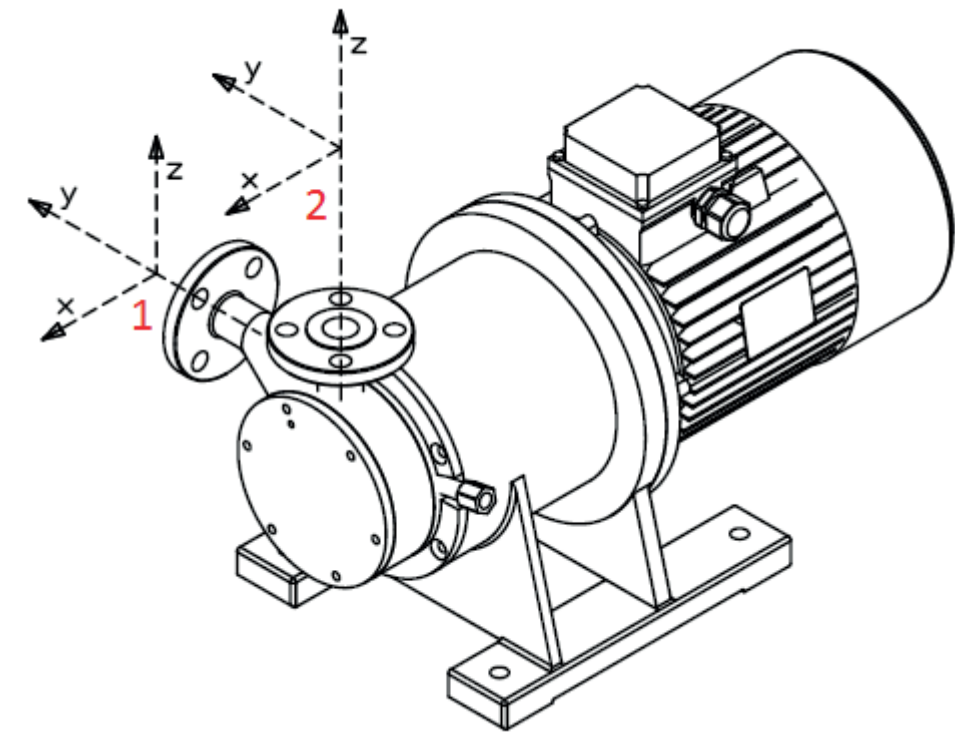


PERMISSIBLE PIPEWORK LOADS: FORCES AND MOMENTS

PUMP TYPE	FLANGE	F _x ; [N]	F _y ; [N]	F _z ; [N]	M _x ; [Nm]	M _y ; [Nm]	M _z ; [Nm]
MTA 78	1	192	246	160	87	107	88
	2	192	160	246	98	103	112
MTA 1011	1	192	246	160	87	107	88
	2	192	160	246	98	103	112



MARCH PUMPEN GmbH & Co.KG
 Rathenastraße 2
 D-35394 Gießen
 www.march-pumpen.com
 info@march-pumpen.com

Baureihe / Series: **MTA HT-HP**

Typ / Type: -

Motor: -